

CGM-12864D

Specifications

Display format: 128 * 64 dots

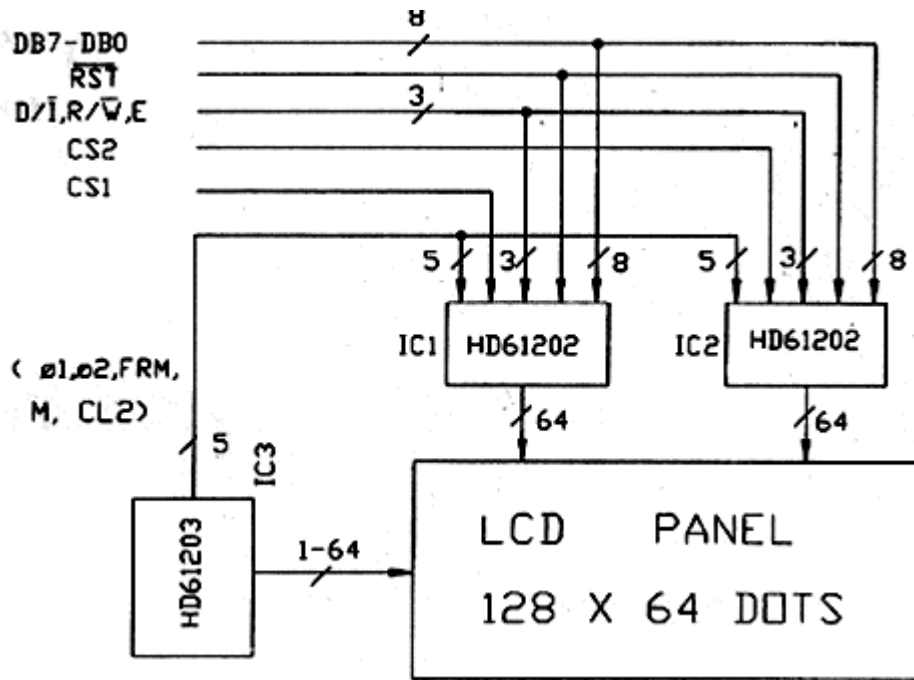
Driving duty: 1/64D

Provided version: Yellow ,Gray or B/W modes STN

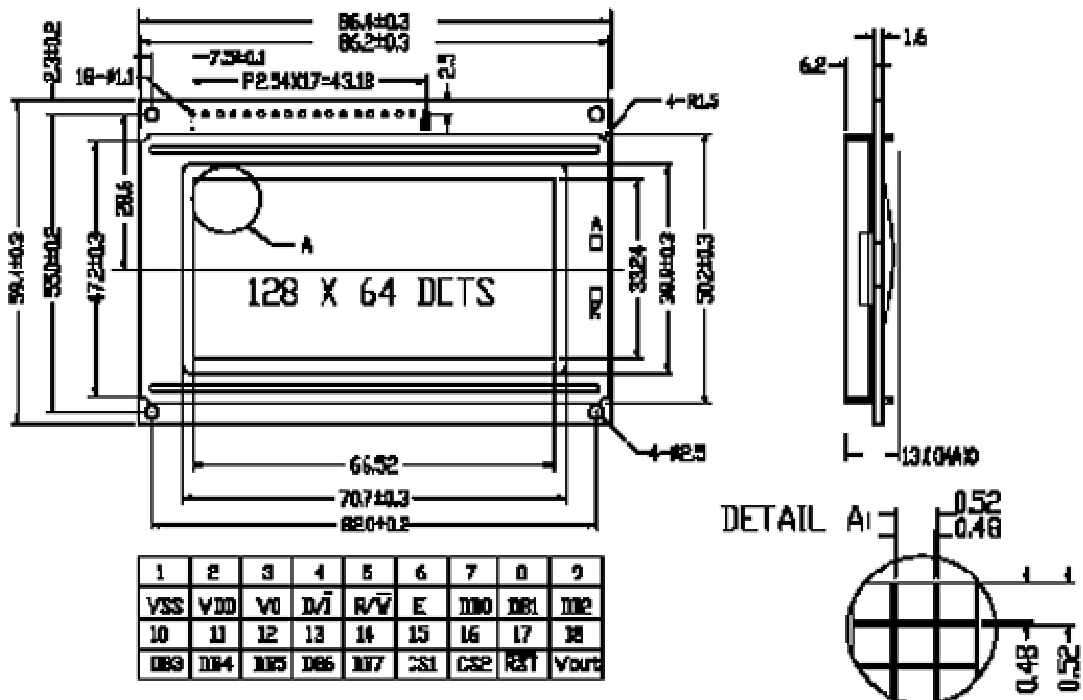
Reflective ,With Backlight

EL/100VAC,400Hz;LED/4.2VDC

Block Diagram



Mechanical Specifications



Absolute Maximum ratings:

Item	Symbol	Condition	Standard Value		Unit
			Min.	Max.	
Supply Voltage for Logic	$V_{DD}-V_{SS}$	$T_a=25^{\circ}\text{C}$	0	6.5	V
Supply Voltage for LTD	$V_{DD}-V_0$		-	15.0	V
Input Voltage	V_I		0	V_{DD}	V

Electrical Characteristics:($T_a=25^{\circ}\text{C}$, $V_{DD}=5.0\text{V}\pm 0.25\text{V}$)

Item	Symbol	Condition	Standard Value			Unit	
			Min.	Typ.	Max.		
Supply Voltage for	Logic	$V_{DD}-V_{SS}$	-	4.75	5.0	5.25	V
	LCD	$V_{DD}-V_{EE}$	-	6.0	7.0	8.0	V
Supply Current for	Logic	I_{DD}	-	-	7.0	-	mA
	LCD	I_{EE}	-	-	3.0	-	mA
Operating Voltage for LCD(Recommended)		$V_{DD}-V_0$	0°C	-	14.0	-	V
			25°C	-	13.0	-	V
			40°C	-	12.0	-	V
Input Voltage	'H'Level	V_{IH}	High Level	$0.7V_{DD}$	-	V_{DD}	V
	'L'Level	V_{IL}	Low Level	0	-	$0.3V_{DD}$	V

Interface Pin Connection

Pin No	Symbol	Level	Description
1	V_{SS}	0V	Ground
2	V_{DD}	5.0V	Supply voltage for logic and LCD Clip select signal
3	V_0	-	Operating voltage for LCD(variable)
4	D/I	H/L	Data or Instruction select signal
5	R/W	H/L	Read or write select signal
6	E	H,H→L	Clip enable signal
7	DB0	H/L	Data bit0
8	DB1	H/L	Data bit1
9	DB2	H/L	Data bit2
10	DB3	H/L	Data bit3
11	DB4	H/L	Data bit4
12	DB5	H/L	Data bit5
13	DB6	H/L	Data bit6
14	DB7	H/L	Data bit7
15	CS1	H	Clip enable signal
16	CS2	H	Clip enable signal
17	RST		Reset
18	V_{EE}		Negative Voltage Output(-10V)
19	VLED+		LED or EL Backlight+
20	VLED-		LED or EL Backlight

